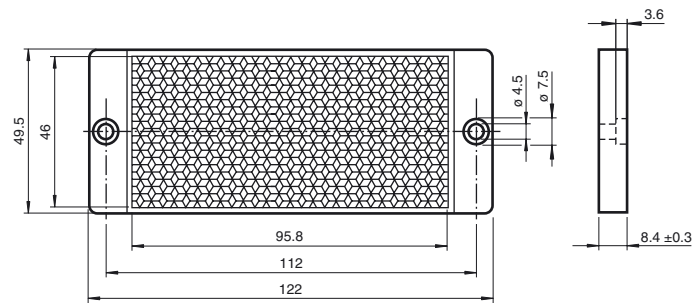




Dimensions



Model Number

REF-H50x100

Reflector, rectangular 122 mm x 49.5 mm, mounting holes

Features

- Mounting holes for simple installation

Technical data

General specifications

Construction type rectangular

Ambient conditions

Ambient temperature -40 ... 70 °C (-40 ... 158 °F)

Mechanical specifications

Dimensions 122 mm x 49.5 mm x 8.4 mm

Mounting mounting holes